

Fin Shaft Housing

Caleb A. Sylvester, Christopher J. Cannell

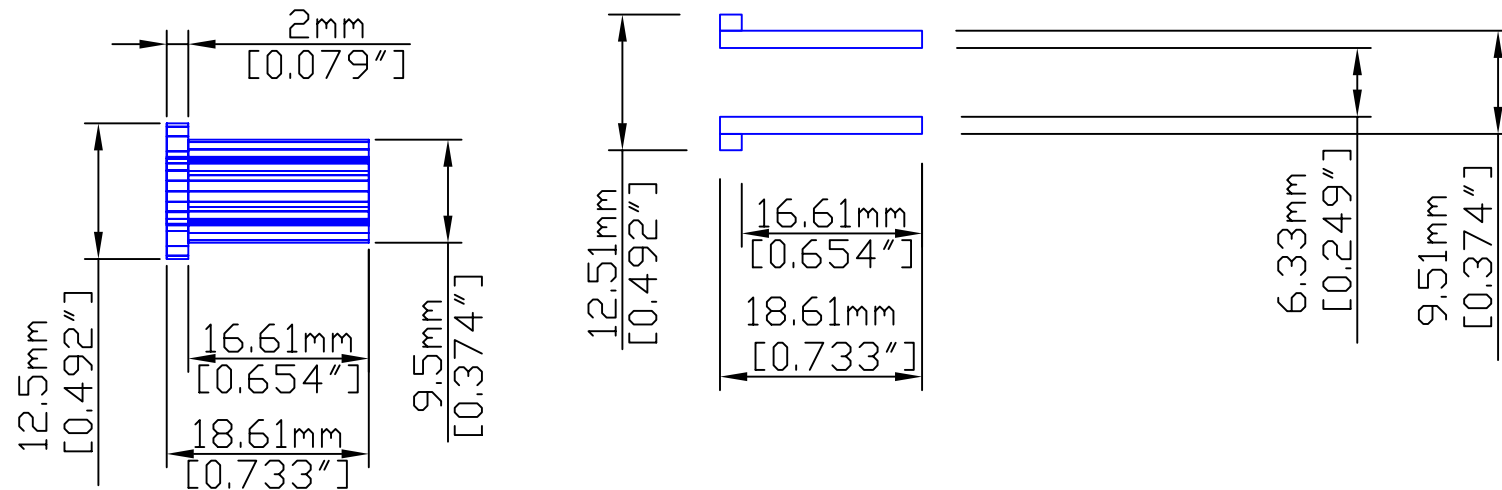
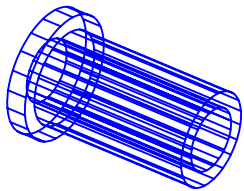
Material: 6061 Aluminum

All surfaces machine tool finish except where noted.

Break all edges, approximately .127mm[.005"]R.

NOTE the fits between this tail piece and other components.

Description: The fin shaft housing is inserted into the tail and hold the fin shaft.



FIT - This finshaft housing fits into the three small holes spaced at 120 degrees around the \varnothing D of the tail piece. Both the \varnothing Ds of this piece - along the main length of the housing (16.61mm) and along the lip of the housing (2mm) - need to maintain an INTERFERENCE FIT tolerance with the inside of the holes in the tail. The fit between this housing and the tail piece MUST BE WATER-TIGHT. See tail.dwg for a better idea of placement.