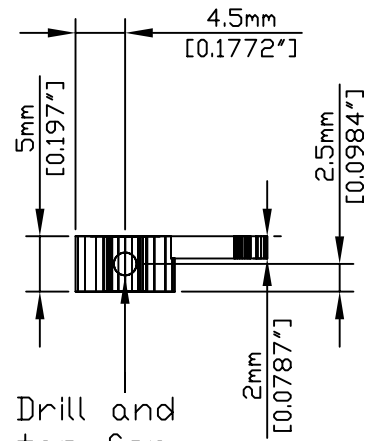
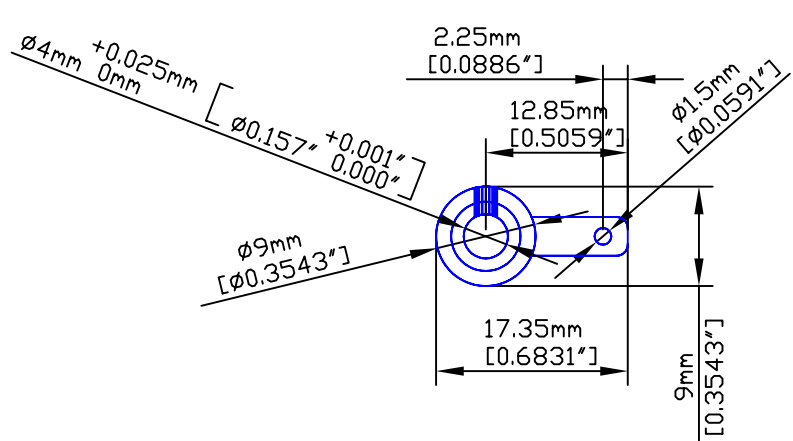
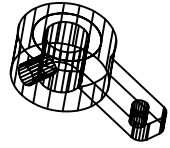


Fin Crank
 Caleb A. Sylvester, Christopher J. Cannell
 Material: 303 Stainless Steel
 All surfaces machine tool finish except where noted.
 Break all edges, approximately .127mm[.005"]R.

Description: Attaches to the fin shaft and pushrod coming from the servo.



Drill and tap for 4-40 set screw



NOTE - This fin crank is used to couple the fin shaft (and fin) on the vehicle's exterior to the steering mechanism on the interior. The indicated set screw will secure the crank to the flat spot on the fin shaft.

FIT - The ID of the hole in the fin crank (4 mm) should have a SLIP FIT with the end of the fin shaft. See below for more detail on placement and fit. See finshaft.dwg for dimensions on the fin shaft.

